

Passive signal isolation conditioner

DIN11-IAP100LP

(Current signal in, current signal out, no power supply)

Main features: Main features:

- >>No need for separate power supply, output is two-wire system
- >>Wide range distribution voltage at the output end: 8-32V
- >>Accuracy level: 0.2 level (nonlinearity<0.2%)
- >>4-20mA signal input/output, 3000V isolation
- >>Industrial grade temperature range: -45~+85 °C
- >>Frequency response (signal bandwidth): 50HZ (Io=20mA)
- >>Has strong resistance to electromagnetic interference and high-frequency signal interference
- >>Standard DIN35 rail installation (size: 69.5x79.0x25.0mm)



Application:

- >>PLC and DCS on-site analog signal isolation and acquisition
- >>Long line distortion free transmission of signals
- >>Instrumentation signal transmission, reception and control
- >>Industrial site 4-20mA signal isolation and transmission
- >>Monitoring and medical equipment isolation safety barriers
- >>Ground wire circulation isolation and interference suppression
- >>Isolation, acquisition, and transformation of analog signal data

Product selection table:

model	input	Power supply	output
DIN11-IAP100LP	4-20ma	nothing	4-20ma

Product maximum
absolute rating:
Continuous
isolation voltage:
3000VDC Input

maximum voltage:
32V

Working
temperature:
+85 °C

Storage
temperature:
+85 °C

Output short circuit time: sustainable

Attention: Exceeding the maximum rated value may cause irreparable damage

General parameters

parameter	Conditions	minimum value	Typical values	Maximum value	Company
Isolation voltage	1min		three thousand		VDC
Insulation impedance			10¹² 1		Ω Pf
Leakage current	240Vrms, 50Hz		zero point five		uA
Warm float	-45~+85°C		±50	±100	PPm/°C
Nonlinearity	Within the full range		±0.2	±0.2	%FSK
Input signal voltage range		eight		thirty-two	V
Output linear range		zero point zero three	four	twenty	mA
Output current I_o		zero point zero three		forty	mA
Output voltage drop V_{oh}	I_o=20mA			four	V
Output signal ripple			five		mV
Frequency response (signal bandwidth)	I_o=20mA		fifty		Hz

1. Unless otherwise specified, the data in this article were measured at TA=25 °C, humidity<75%, input nominal power supply,

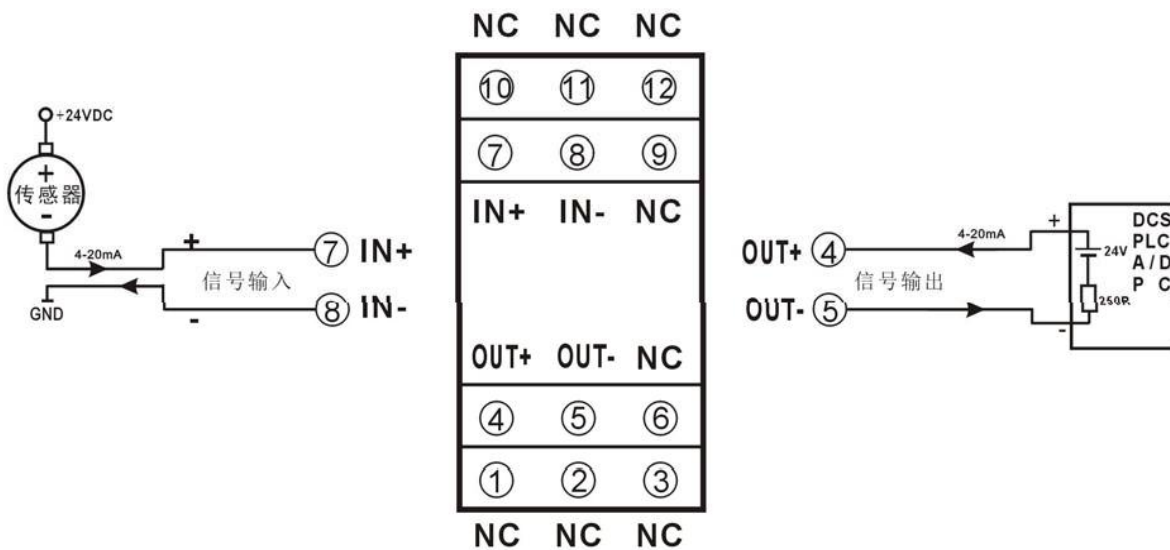
and output rated load.

2. Non standard situations may differ from the product characteristics mentioned above. Please consult our technical personnel for specific details.

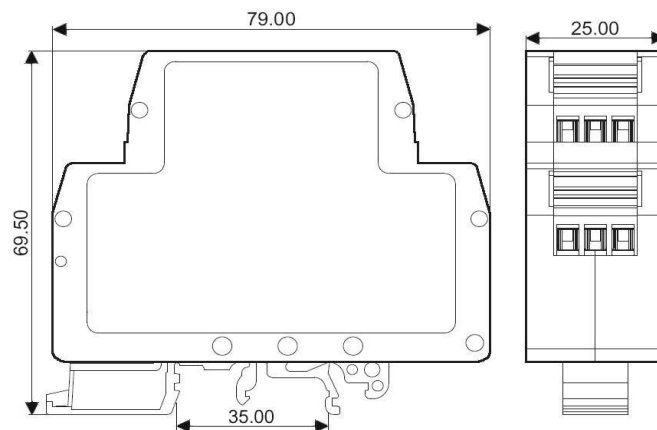
3.

Pin definition:

Pin	name	describe	Pin	name	describe
one	NC	Empty feet	seven	IN+	Analog signal input positive terminal
two	NC	Empty feet	eight	IN-	Analog signal input negative terminal
three	NC	Empty feet	nine	NC	Empty feet
four	OUT+	Analog signal output positive terminal	ten	NC	Empty feet
five	OUT-	Analog signal output negative terminal	eleven	NC	Empty feet
six	NC	Empty feet	twelve	NC	Empty feet



顶视图



Can be installed on standard DIN35 rails

matters needing attention:

1. Before use, carefully check and confirm the quantity, model, and specifications of the product according to the packing list and product label.
2. When using, it is necessary to follow the wiring reference diagram corresponding to the selected product model, correctly connect the signal input, output, and power lines, check for errors, and then connect the power and signal.
3. When measuring signals directly with probes, please tighten the terminals.
4. The usage environment should be free of conductive dust and corrosive gases that can damage insulation and metals.
5. When installing centrally, the installation spacing should be $\geq 10\text{mm}$.
6. The product has been calibrated before leaving the factory, please do not adjust it arbitrarily. If on-site calibration is necessary, please contact our company.
7. The product is an integrated structure that cannot be disassembled, and collision and falling should be avoided. This product comes with a 2-year warranty, during which our company provides free maintenance or replacement. Any label on the product that is intentionally damaged, altered, or torn off will not be returned or exchanged.
8. There is no lightning protection circuit installed inside the product. When the input and output feeders of the product are exposed to harsh outdoor weather conditions, please take lightning protection measures.
9. Product specifications may be updated without prior notice.

guarantee:

Within two years from the date of sale, if the user complies with the storage, transportation, and usage requirements and the product quality is lower than the technical specifications, it can be returned to the factory for free repair. If damage is caused due to violation of operating regulations and requirements, device fees and maintenance fees shall be paid.

Copyright:

Copyright © 2012 Shenzhen Weijunrui Technology Co., Ltd.

Without permission, no part of this manual may be copied, distributed, translated, or transmitted. This manual is subject to modification and update without prior notice.

Trademark:

The other trademarks and copyrights mentioned in this manual belong to their respective owners.

Version number: V1.2

Date: September 2012